

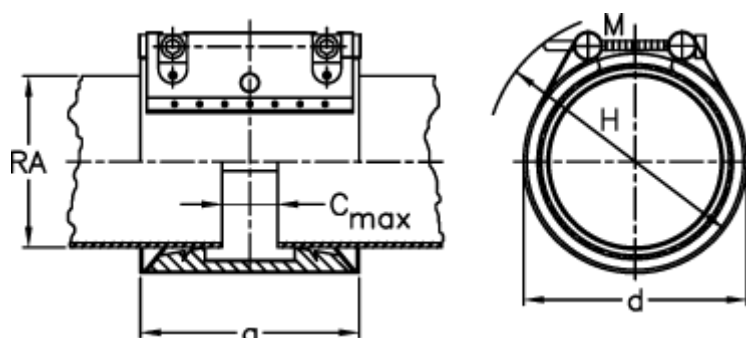
Data Sheet



Article number: 025799200048

Description: Norma Connect pipe coupling
GRIP E W4 Ø=48,3 EPDM, 16 bar

Measures



a = 62.4

C max with insertion band = 8

d = 70

H = 90

M (screw) = M8

Nominal pressure (bar) = 16

RA = 48.3

RA min-RA max = 46,0-48,8

Weight a piece = 0.6